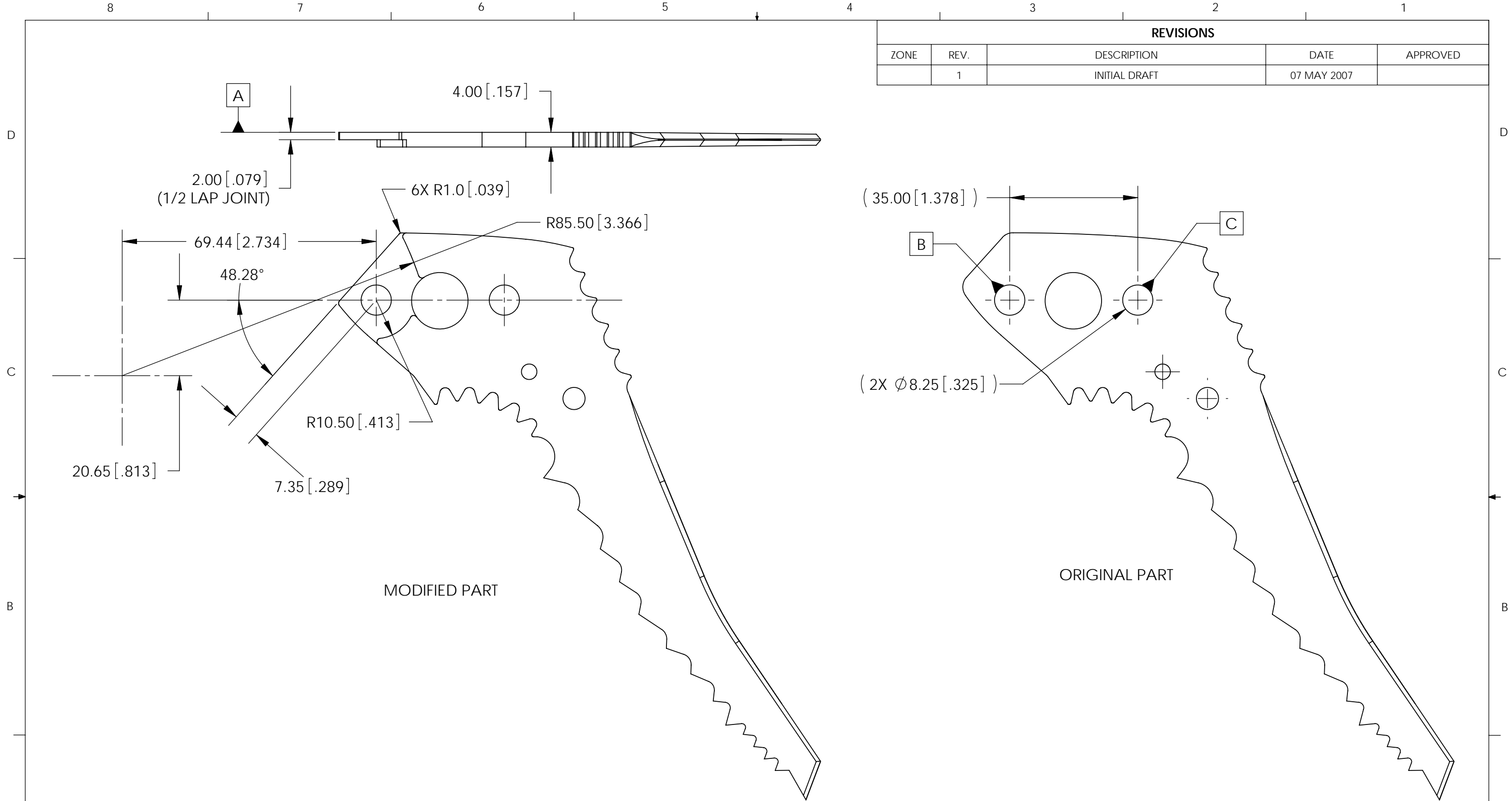


REVISIONS				
ZONE	REV.	DESCRIPTION	DATE	APPROVED
	1	INITIAL DRAFT	07 MAY 2007	



NOTES: UNLESS OTHERWISE SPECIFIED

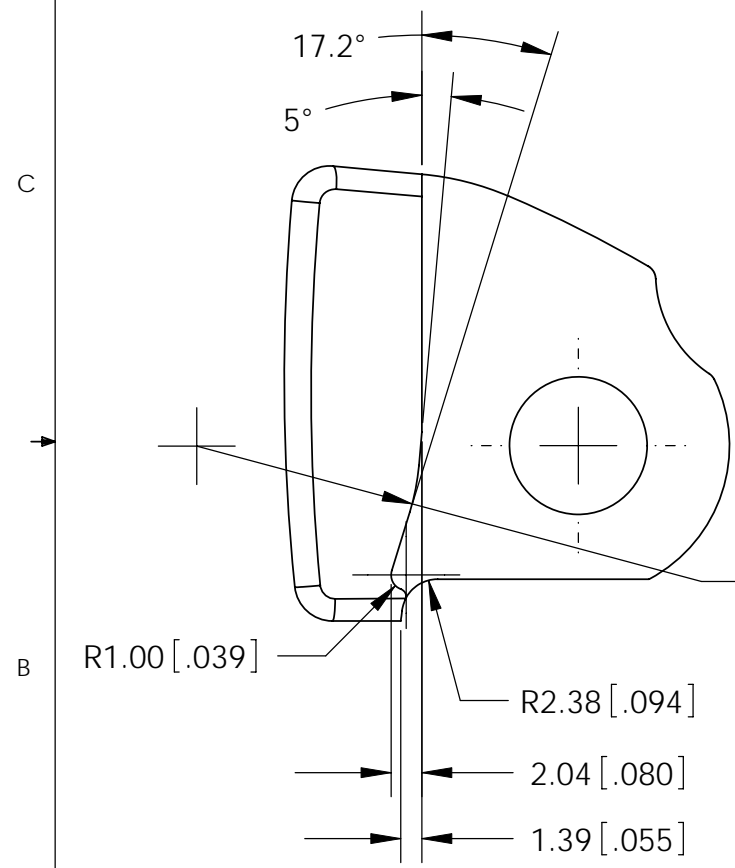
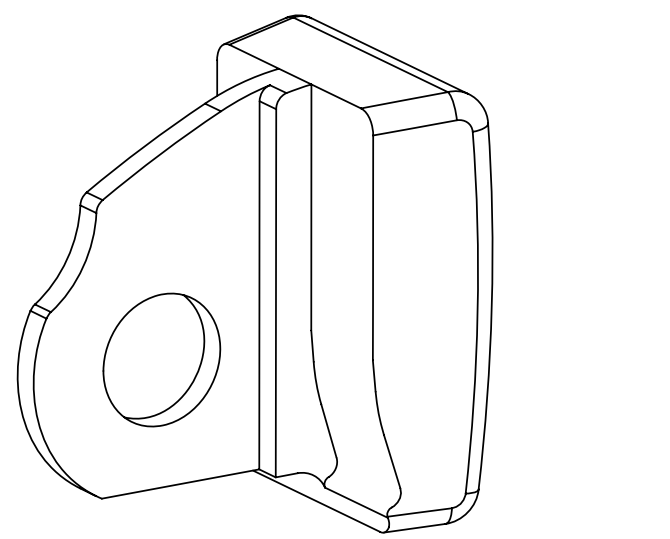
1. MAKE FROM: PETZL CHARLET ASTRO PICK.
2. REMOVE ALL BURRS AND SHARP EDGES.
3. PARTS TO BE FREE OF OIL, DEBRIS, AND SCALE.
4. CRITICAL TO INTERFACE INSPECTION DIMENSIONS ENCLOSED IN OVAL.

UNLESS OTHERWISE SPECIFIED:	
DIMENSIONS ARE IN MILLIMETERS [INCHES]	
DECIMAL PLACES	TOLERANCES:
X.X [.XX]	±.25mm [.01"]
X.XX [.XXX]	±.125mm [.005"]
X.XXX [.XXXX]	±.025mm [.0010"]
ANGLES	±1.0°
INTERPRET DRAWING IN ACCORDANCE WITH: ANSI/ASME Y14.5-1994	
MATERIAL:	CARBON STEEL
FINISH:	64

PROJECT:		NOMIC HAMMER	
PROPRIETARY AND CONFIDENTIAL THE INFORMATION CONTAINED IN THIS DRAWING IS THE SOLE PROPERTY OF ASCENT DESIGN, INC. ANY REPRODUCTION IN PART OR AS A WHOLE WITHOUT THE WRITTEN PERMISSION OF ASCENT DESIGN, INC IS PROHIBITED.			
DRAWN	REB	DATE	07 MAY 07
CHECKED		DATE	
ENG APPR.		DATE	
MFG APPR.		DATE	
QA		DATE	

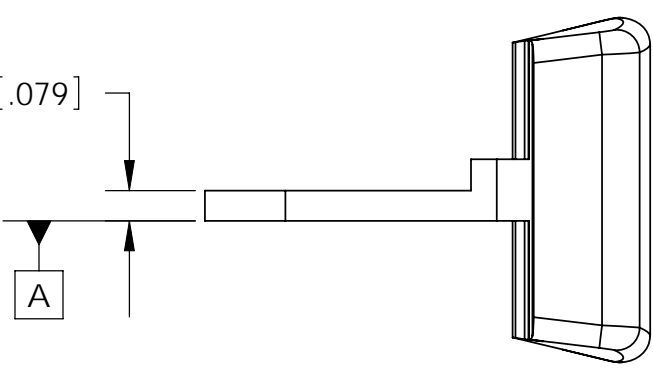
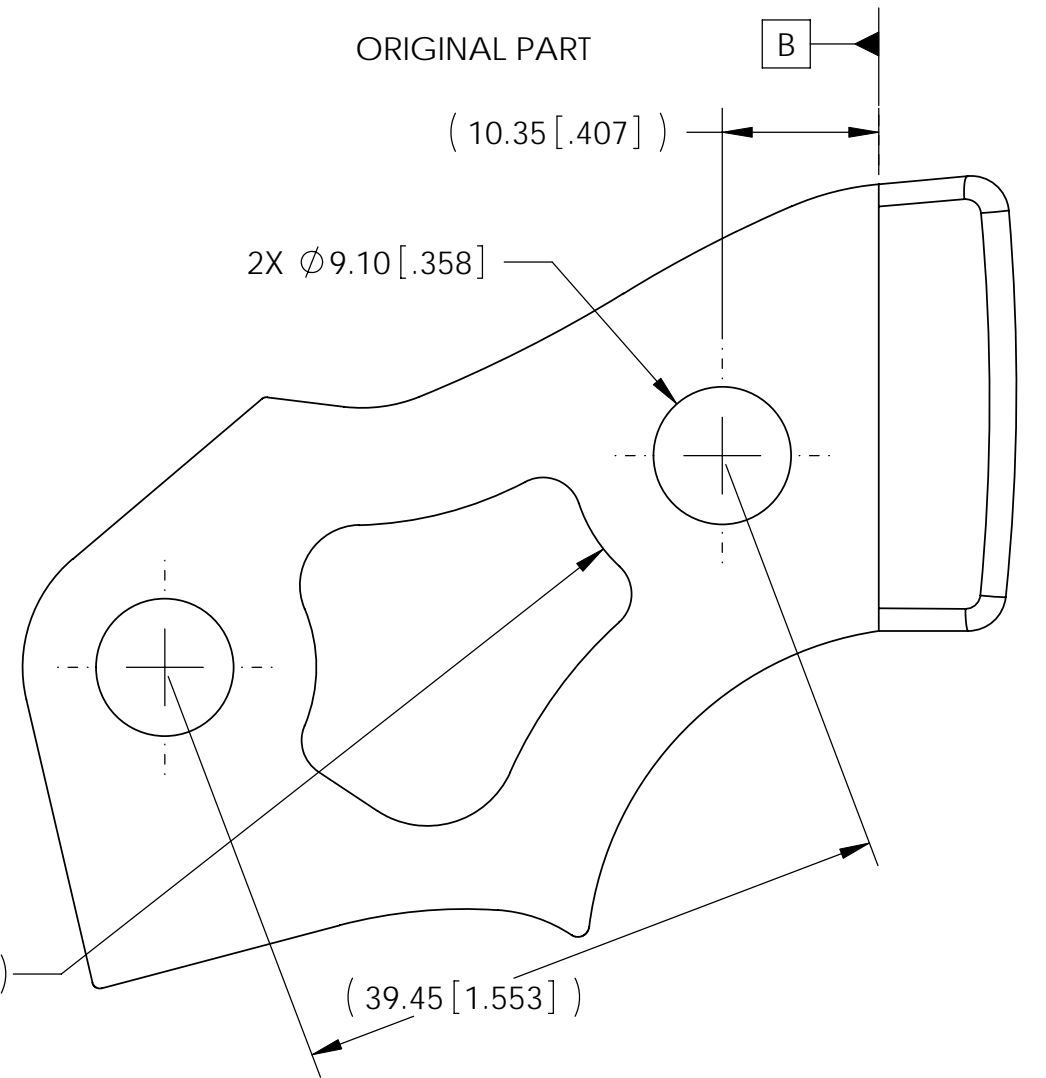
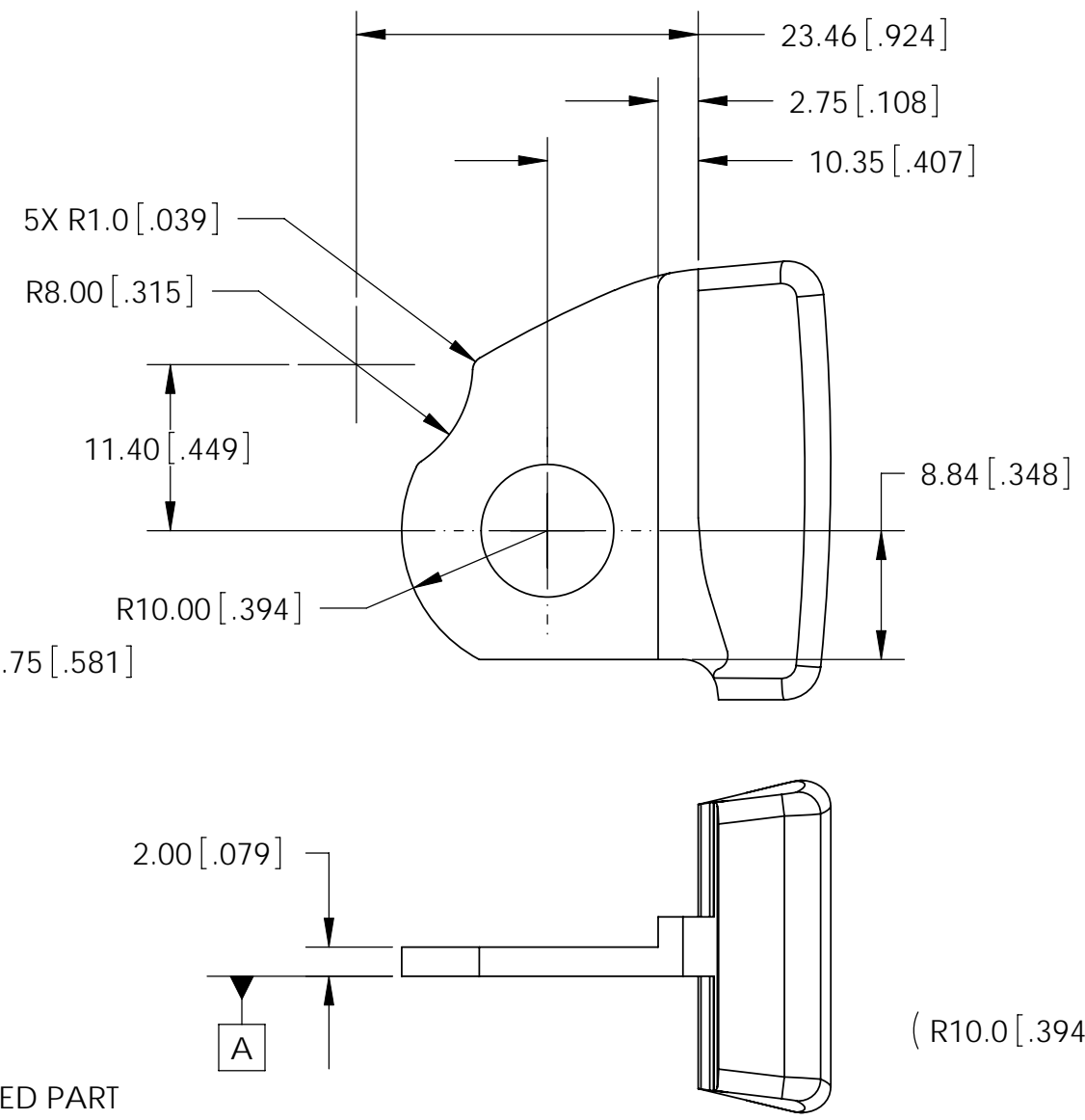
 Ascent Design, Inc.		2243 Dogwood Circle Louisville, CO 80027 TEL: 303.666.4666 FAX: 303.666.5888	
		TITLE: MODIFIED ASTRO PICK	
SCALE: 1:1	SIZE B	DWG. NO. AD1001	REV 1
SHEET 1 OF 1			

REVISIONS				
ZONE	REV.	DESCRIPTION	DATE	APPROVED
	1	INITIAL DRAFT	07 MA7 2007	



HAMMER SEAT RELIEF
ALL FEATURES 2X
BOTH SIDES

MODIFIED PART



- NOTES:** UNLESS OTHERWISE SPECIFIED
1. MAKE FROM: PETZL CHARLET QUARK HAMMER.
 2. REMOVE ALL BURRS AND SHARP EDGES.
 3. PARTS TO BE FREE OF OIL, DEBRIS, AND SCALE.
 4. CRITICAL TO INTERFACE INSPECTION DIMENSIONS ENCLOSED IN OVAL.

UNLESS OTHERWISE SPECIFIED:		PROJECT: NOMIC HAMMER	
DIMENSIONS ARE IN MILLIMETERS [INCHES]		PROPRIETARY AND CONFIDENTIAL	
DECIMAL PLACES	TOLERANCES:	THE INFORMATION CONTAINED IN THIS DRAWING IS THE SOLE PROPERTY OF ASCENT DESIGN, INC. ANY REPRODUCTION IN PART OR AS A WHOLE WITHOUT THE WRITTEN PERMISSION OF ASCENT DESIGN, INC IS PROHIBITED.	
X.X [.XX]	±.25mm [.01"]	DRAWN	REB
X.XX [.XXX]	±.125mm [.005"]	DATE	07 MAY 07
X.XXX [.XXXX]	±.025mm [.0010"]	CHECKED	DATE
ANGLES	±1.0°	ENG APPR.	DATE
INTERPRET DRAWING IN ACCORDANCE WITH: ANSI/ASME Y14.5-1994		MFG APPR.	DATE
MATERIAL: CARBON STEEL		QA	DATE
FINISH: 64			

Ascent Design, Inc.

2243 Dogwood Circle
Louisville, CO 80027
TEL: 303.666.4666
FAX: 303.666.5888

TITLE: **MODIFIED QUARK HAMMER**

SCALE: 2:1	SIZE: B	DWG. NO.: AD1002	REV: 1
SHEET 1 OF 1			